

iSC GmbH
Customer Service
Eschenstraße 6
94405 Landau/Isar

Telephone: +49 9951 959 2019
Email: service-de@einhell.com

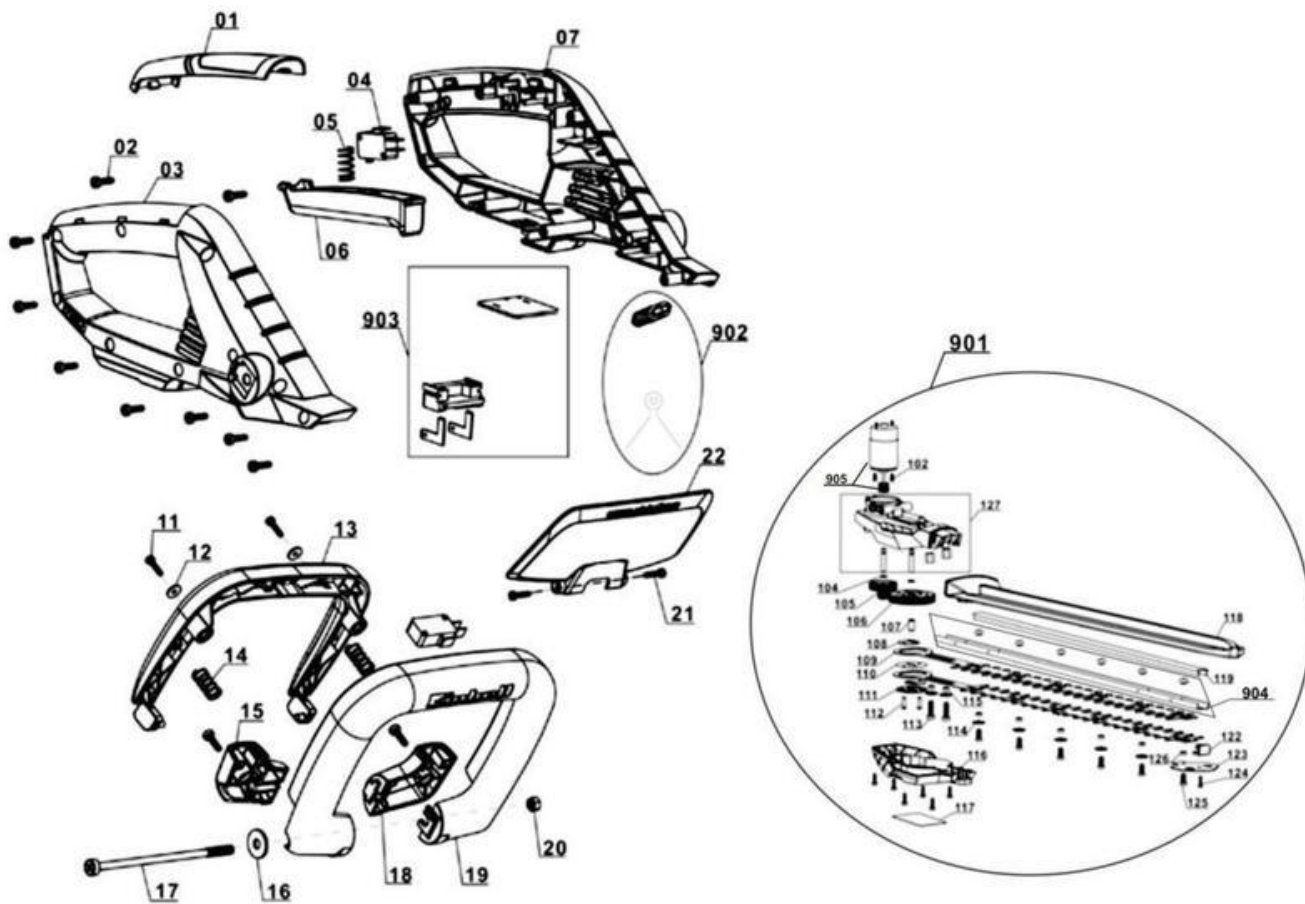


Cordless Hedge Trimmer
GC-CH 1846 Li Kit (1x2,0Ah)

Article number: 3410683
Ident number: 21041

Spare parts

Pos	Art.	Ident number	Product Name
	3410641	00040	GE-CH 1846 Li for Kit
	4511398	00010	Power-X-Change 18V 2,0Ah f.Kit
	4512123	00010	PXC 18V 30min f.K. B



Spare parts

Pos	Art.	Ident number	Product Name
001	341064101001	00000	cover for rear handle
002	341064101002	00000	Cross screw ST3.5*13-F
003	341064102003	00000	right housing
004	341064101004	00000	three pin switch
005	341064101005	00000	switch spring
006	341064101006	00000	push hand
007	341064102007	00000	left housing
010	341064101010	00000	capacitance
011	341064101011	00000	Cross screw ST2.9*10-F
012	341064101012	00000	washer 3.2*9*0.8
013	341064101013	00000	push hand of assistant handle
014	341064101014	00000	press spring
015	341064101015	00000	upper cover of assistant handl
016	341064101016	00000	big washer 6
017	341064101017	00000	cross thread bolt
018	341064101018	00000	upper cover of assistant handl
019	341064101019	00000	lower cover of assistant handl
020	341064101020	00000	C hexagon nut M5
021	341064101021	00000	Cross screw ST2.9*10-C
022	341064101022	00000	guard
099	341068304099	00000	color box
800	341064101800	00000	Pin buckle terminal JH250
801	341064101801	00000	Pin buckle terminal
901	341064104901	00010	power cpl(101-127)
903	341064104903	00010	Pin rack cpl(8+23)

Power-X-Change 18V 2,0Ah f.Kit

Article number: 4511398
Ident number: 00010

Spare parts

Pos	Art.	Ident number	Product Name
	451139801791	00000	data label
850	451139801850	00000	battery Li-Ion 18V /2 Ah

PXC 18V 30min f.K. B

Article number: 4512123
Ident number: 00010

Spare parts

Pos	Art.	Ident number	Product Name
851	451212301851	00000	PXC charger

power cpl(101-127)

Article number: 341064104901
Ident number: 00010

Spare parts

Pos	Art.	Ident number	Product Name
102	341064101102	00000	Cross recessed pan head screwM
104	341064101104	00000	washer
105	341064103105	00000	dual gear
106	341064103106	00000	big gear
107	341064101107	00000	bearing
108	341064101108	00000	eccentric wheel
109	341064103109	00000	blade
110	341064101110	00000	Isolation board
111	341064101111	00000	baseplate
112	341064101112	00000	pin axle
113	341064101113	00000	Cross recessed pan head screwM
114	341064101114	00000	washer 5*16
115	341064101115	00000	guide wheel 3
116	341064102116	00000	lower cover of gear
117	341064101117	00000	parameter label
118	341064101118	00000	blade guard
119	341064101119	00000	cover of blade
122	341064101122	00000	block
123	341064101123	00000	blade pothook
124	341064101124	00000	Cross screw ST2.9*10-C
125	341064101125	00000	H Cross recessed pan head scre
126	341064101126	00000	guide wheel 2
127	341064101127	00000	upper cover of gear cpl
904	341064101904	00010	blade rail assy.
905	341064104905	00010	motor assembly(101+103)

Pin rack cpl(8+23)

Article number: 341064104903
Ident number: 00010

Spare parts

Pos	Art.	Ident number	Product Name
008	341064104008	00000	current limit pcb
023	341064101023	00000	Pin rack cpl

blade rail assy.

Article number: 341064101904
Ident number: 00010

Spare parts

Pos	Art.	Ident number	Product Name
120	341064101120	00000	PCB nut KF2-M5-6
121	341064101121	00000	blade rail

motor assembly(101+103)

Article number: 341064104905
Ident number: 00010

Spare parts

Pos	Art.	Ident number	Product Name
101	341064104101	00000	motor HRS550S-6632F
103	341064101103	00000	small gear